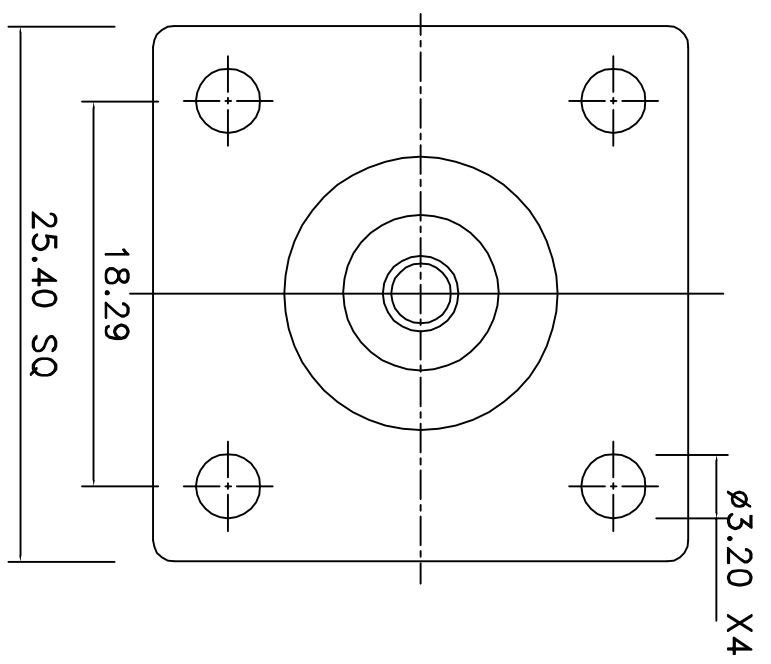
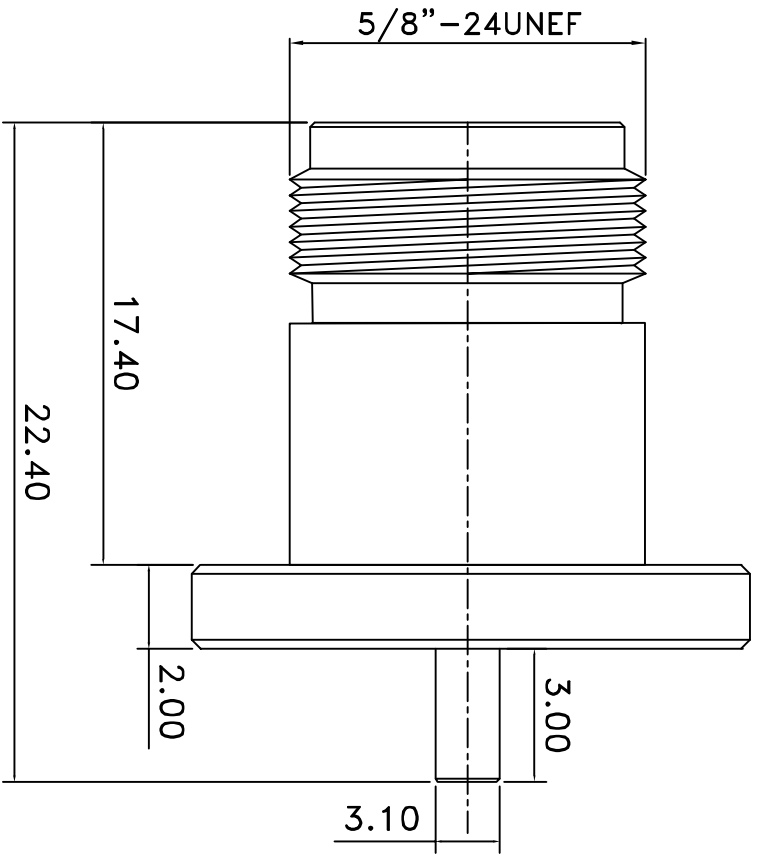


REV	DESCRIPTION	DRAWN	DATE



NO	Description	Qty	Material	Finish	UNLESS OTHERWISE SPECIFIED	* MAJOR DIMENSION	APPROVED	TITLE	FILE NO.
4	SLEEVE	1	BRASS	NICKEL	1. REMOVE ALL BURRS 2. BREAK ALL CORNERS & EDGES CO. 1.5 MAX. 3. CHAMFER 1ST & LAST THREADS 45° 4. DIAMETERS ON COMMON CENTERS 5. ALL DIMENSIONS ARE AFTER PLATING.	UNLESS OTHERWISE NOTED, TOLERANCES 0.5-6 = ±0.2 6-30 = ±0.4 30-120 = ±0.6 120-315 = ±1.0 ANGLES = ±1°	CHECKED	N FEMALE PANEL 4 HOLES SOLDER	N-14-11-TGN
3	PIN	1	BRASS	GOLD			DRAWN		
2	INSULATOR	1	TEFLON	NONE			andrew		
1	BODY	1	BRASS	NICKEL					
NO	Description	Qty	Material	Finish					

SCALE	UNIT	MM	DRAWN DATE	REV
3/1	MM		01/04/02	A