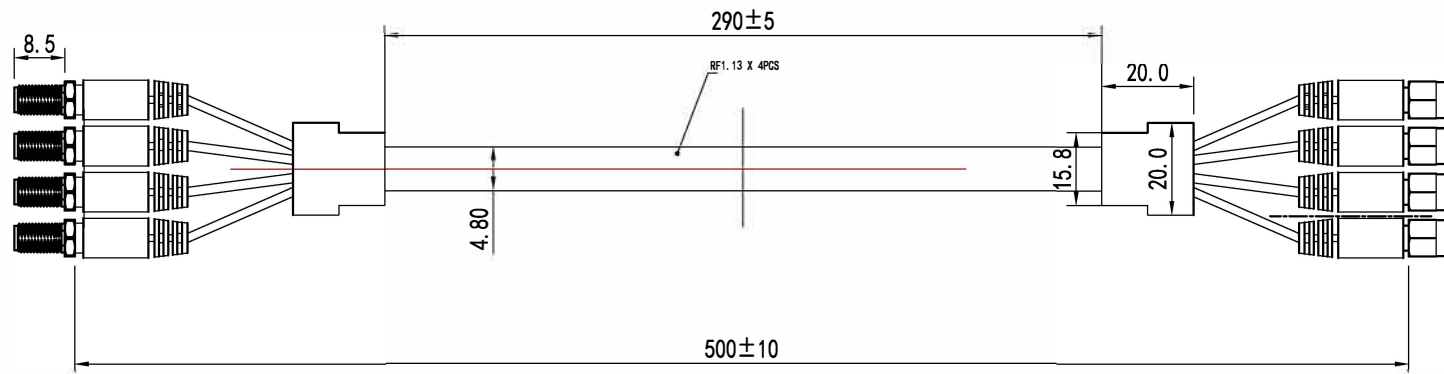


REV.	FILE No.	DRAWN BY	DATE
A0	New drawing	Tommy Xiao	2022.11.16



COMPLIANCE WITH THE REQUIREMENT:  RoHS;  HF;  SONY SS-00259;  OTHER.  
 \*NO USING RESTRICTED AND BANNED SUBSTANCE

Types of:		product drawing			
precision:				Name:	
X.X	±0.20	X.X°	±2°	RF113 cable SMA-K to SMA-J, L50CM	
X.XX	±0.10	X.XX°	±1°	part NO:	
X.XXX	±0.05	X.XXX°	±0.5°	HO-240-N-RPSMA-001	
Approval:		Review:		Drawing:	
				Tommy.Xiao	
		Date:		Scale:	
		2022.11.16		1:5	
		Unit:		Page:	
		mm		1/1	