



FLAT TYPE 2.4-2.5GHz DIPOLE 4 dBi ANTENNA FOR SMA PLUG RP  
(Antenna Plane to the front and rear)

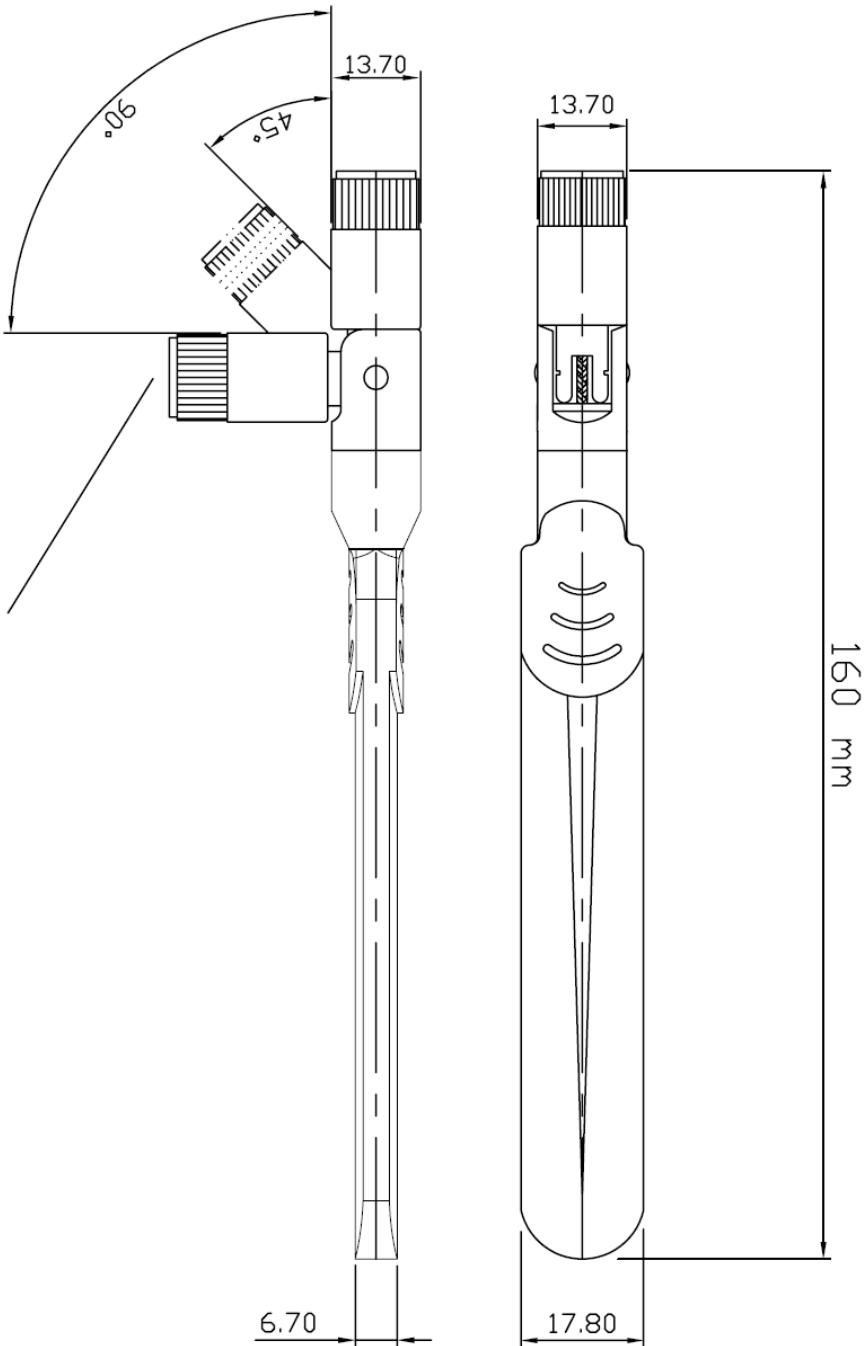


Specifications/Special Features :  
Global System for Mobile Communication  
2400-2500MHz wifi antenna,  
Broadband design for wifi systems.

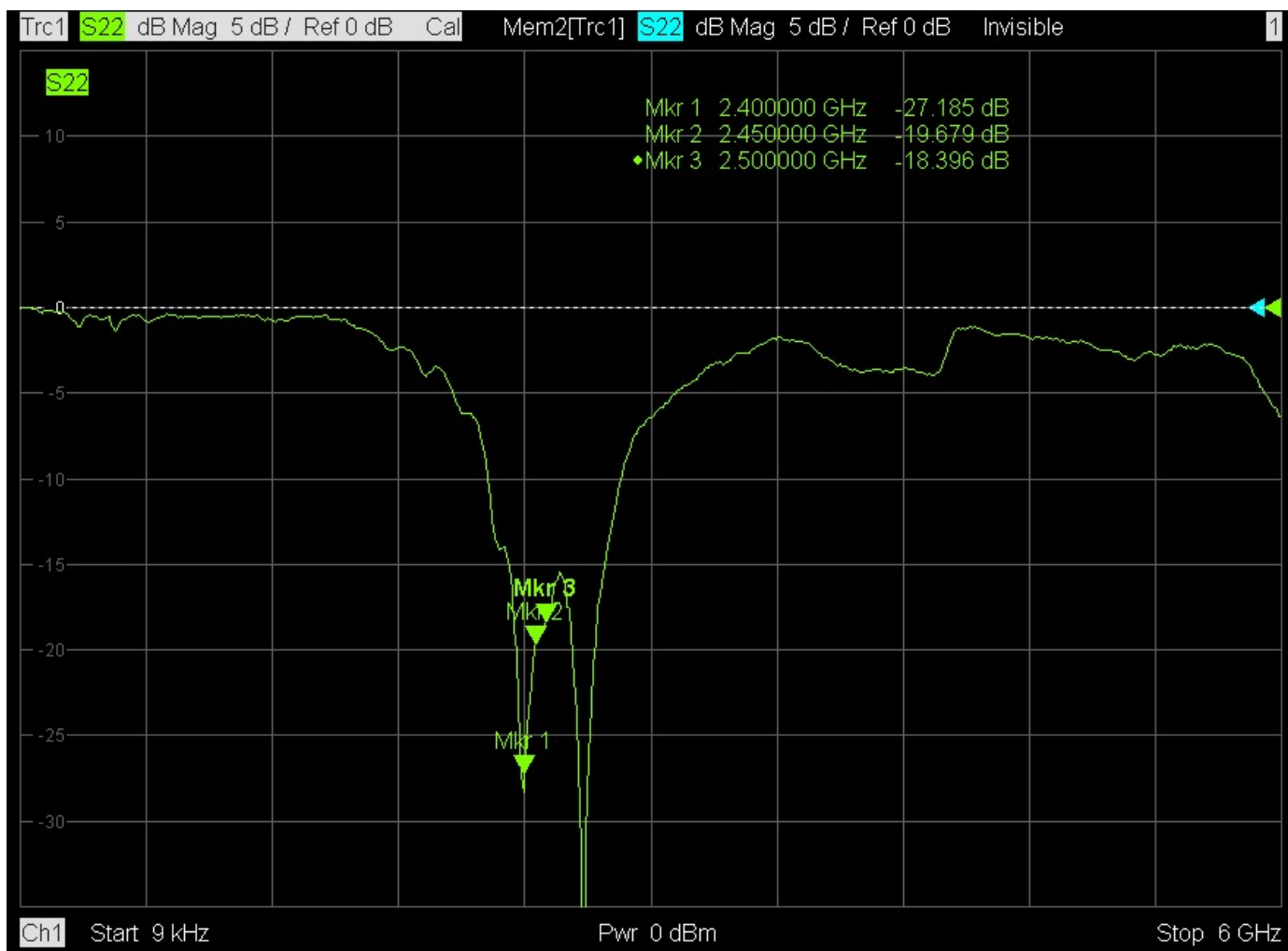
Specification	
Model No.	DA-24-22-2
Antenna Connector	SMA PLUG RP (Option)
Frequency	2400-2500 MHz
Antenna Type	Dipole
Antenna Form	Flat Type
Gain (dBi)	4 dBi
Polarization	Linear Vertical
VSWR	<1.5 : 1
Max Power	50W
Impedance	50Ω
Weight	24g
Size	L160×W17.8×H13.7mm

DA-24-22-2

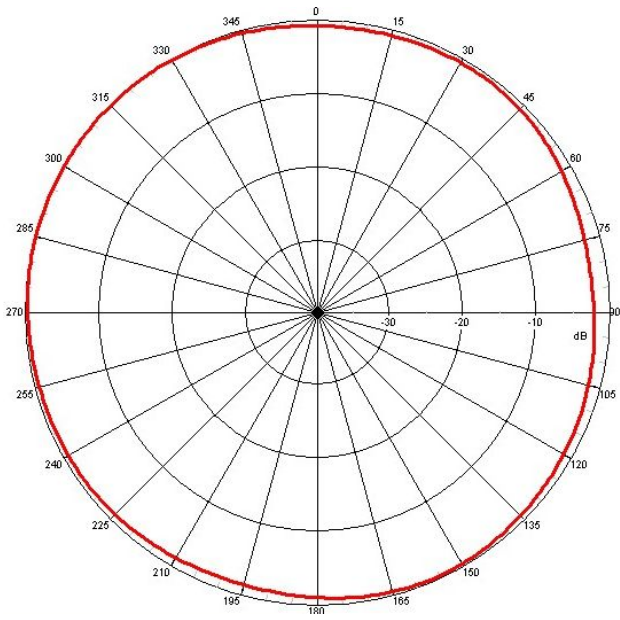
FLAT TYPE 2.4-2.5GHz DIPOLE 4 dBi ANTENNA FOR SMA PLUG RP (Antenna Plane to the front and rear)



1	FREQUENCY : 2400-2500 MHz	6	IMPEDANCE : 50 Ω
2	GAIN : 4dBi	7	
3	V.S.W/R : ≤1.5:1	8	
4	ANTENNA LENGTH : L160xW17.8xH13.7 mm	9	
5	CONNECTOR : SMA PLUG RP (OPTION)	10	



# H-PLANE



# E-PLANE

