

Product code: IS-G1412-F2425-A6070-HV-M

SECTOR H: 14dBi/60°
V: 12dBi/70° / 2.4-2.5GHz / MIMO HV

New sector antenna for base stations in the MIMO technology developed for use with radio equipment operating in the 802.11n standard that use MIMO technology. Antenna has two connectors, are relatively light and compact allowing you to save space on the mast.

electrical

Frequency (min)	2 400MHz
Frequency (max)	2 500MHz
Gain	14dBi, 12dBi
VSWR (max)	1.50:1
Polarization	Horizontal and Vertical
Half Power Beam Width (-3dB) - horizontal	60°
Half Power Beam Width (-3dB) - vertical	70°
FBR (Front/Back Ratio)	>30dB
Port to Port Isolation:	>37dB
DC Ground	yes
Impedance	50Ω

mechanical

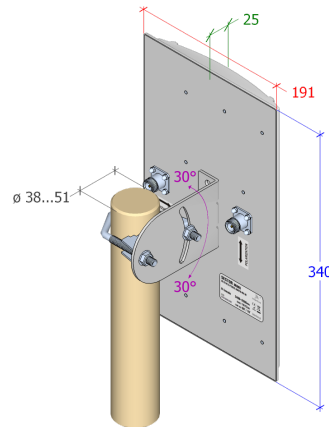
Connector	N female
Mounting Diameter	ø 38...51mm
Dimensions (excl. mount)	340x194x25mm
Weight (incl. mount)	0.84kg

environmental

Environment	Outdoor
Windload	88N (@170km/h)
IP Rating	IP64

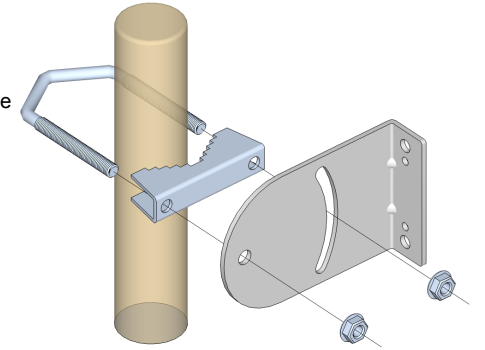
compliance

2002/95/EC (RoHS)	compliant
2002/96/EC (WEEE)	compliant

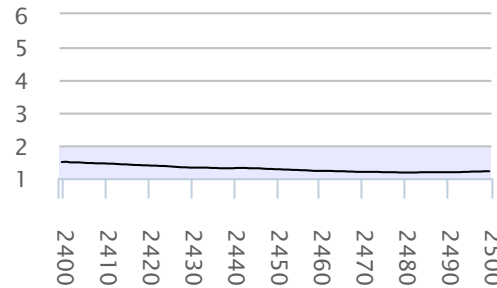


Fine adjustment of the antenna ensures the correct propagation of radio signals. Proper installation of the mast, antenna and cable provide a stable and proper operation of the antenna installation.

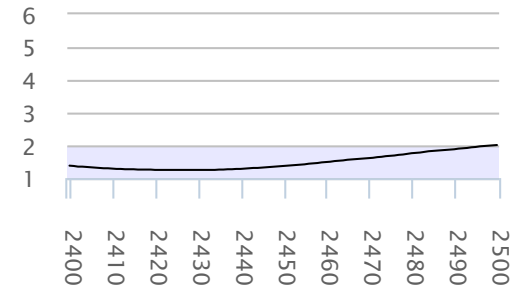
- Level mast or boom using a bubble leveler.
- Assemble the antenna mount as on drawing.
- Vent holes should be located at the bottom of the antenna.
- Screw the antenna to the mast, leaving slack in the adjustment of direction and inclination.
- Determine the direction and inclination.
- Finally tighten the mounting screws.
- Connect cable and insulate antenna connector.
- Fasten cable to the mast or boom.
- It is worth to note achieved link parameters.



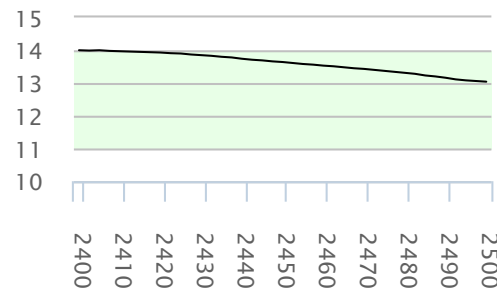
VSWR: IS-G14-F2425-A60-H



VSWR: IS-G12-F2425-A70-V



GAIN: IS-G14-F2425-A60-H



GAIN: IS-G12-F2425-A70-V

